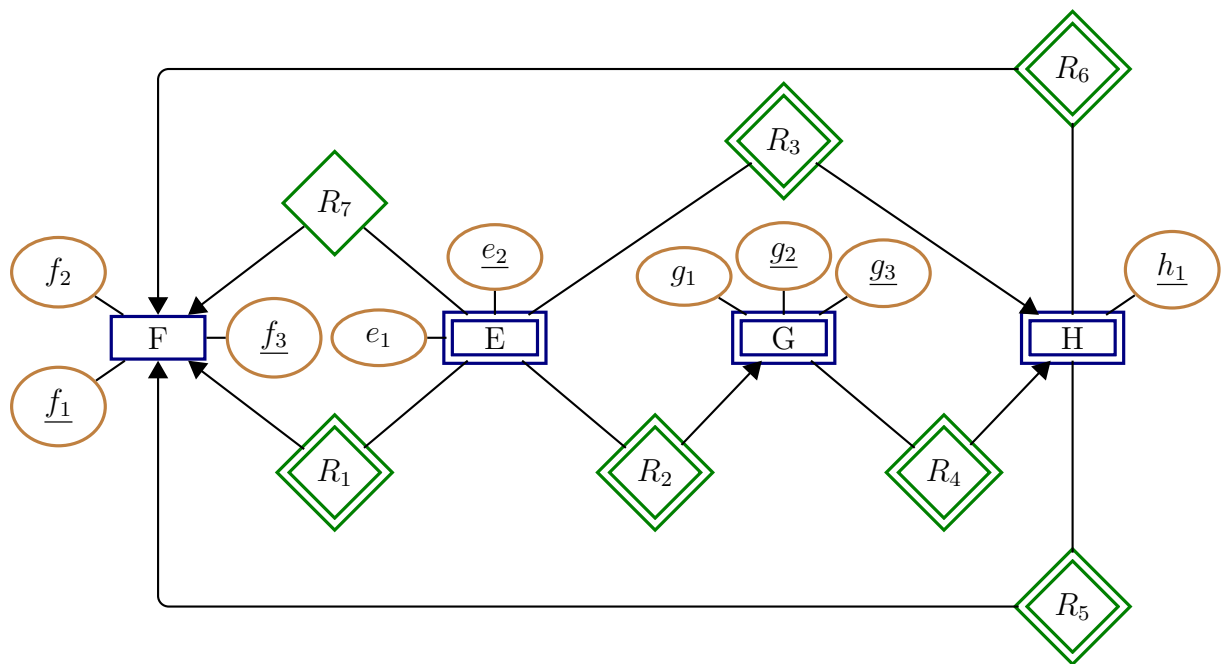


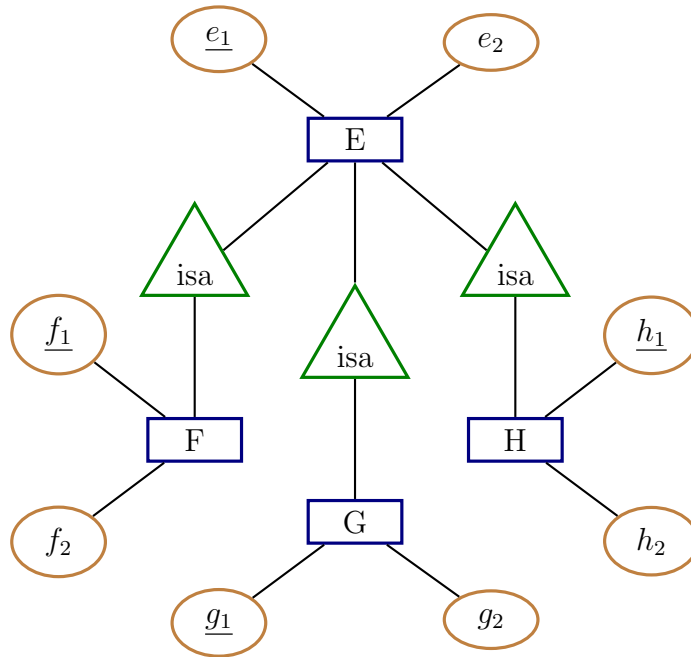
1. Write your name below.

2. Determine the primary key of each of the entity sets below. Explain your answer.



3. Map the ER diagram of Question 2 to a relational schema.

4. Map the following ER diagram to a relational schema using each of the three methods for mapping subclass structures to relations: (1) ER style, (2) object-oriented style, and (3) using nulls.



5. Provide UML class diagrams corresponding to each of the ER diagrams in Questions 2 and 4.